

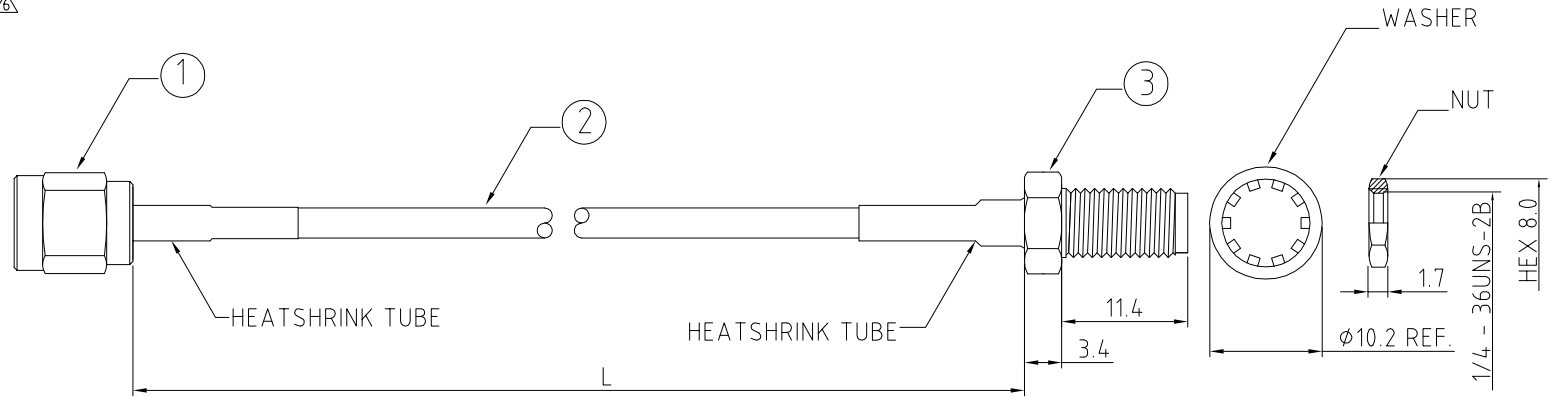
CABLE 071 RF: SMA STRAIGHT PLUG + SMA FEMALE BULKHEAD JACK + MULTIPLE CABLE SIZES - 3GHz

SPECIFICATIONS

- SMA STRAIGHT PLUG P/N:  
 FOR RG174 CABLE: C01AA31174004A  
 FOR RG58 & RG58LL CABLE: RFCT-SMA129-M58.  $\triangle$   
 FOR  $\phi$ 1.37 CABLE: C01AA31137004  $\triangle$
- MIT COAXIAL CABLE (SEE CABLE OPTIONS FOR DETAIL).
- SMA ST BULKHEAD, GOLD PLATED, P/N:  
 FOR RG174 CABLE: C02ABWS174003C  
 FOR RG58 & RG58LL CABLE: RFCT-SMA130-F58.  
 FOR  $\phi$ 1.37 CABLE: C02ABWS178003B

NOTES:

- WORKING FREQUENCY RANGE: DC-3GHz  $\triangle$
- OPERATING TEMPERATURE:  
 FOR RG58 & RG58LL CABLE: 0 TO +70°C.
- IMPEDANCE: 50 OHM.



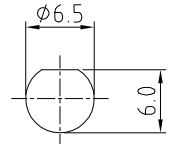
HOW TO ORDER

CABLE 071 RF - X X X X - X - X

"L" LENGTH IN MM  
 eg: 100MM = 0100  
 (MIN. = 0050)  
 STANDARD = 0100, 0150, 0200  
 Tolerance: <50mm :  $\pm$ 2mm.  
 51-200mm:  $\pm$ 5mm.  
 201-500mm:  $\pm$ 7mm.  
 >501mm:  $\pm$ 10mm.

WASHER AND NUT OPTIONS:  
 BLANK = SEPERATELY PACKED (STANDARD)  
 A = ASSEMBLED WITH CONNECTOR

CABLE SIZE OPTIONS:  
 BLANK = RG174 CABLE, COLOR: BLACK.  
 $\triangle$  1 = RG58 CABLE, COLOR: BLACK (PVC JACKET).  
 $\triangle$  3 =  $\phi$ 1.37MM CABLE, COLOR: BLACK.  
 4 = RG58 LOW LOSS CABLE, COLOR: BLACK



RECOMMENDED SMA MOUNTING HOLE

|                   |   |
|-------------------|---|
| REV. DATE & DRN   | 10 06/03/09 - NYW RELEASE   |
| 11 26/08/09 - PCY | $\triangle$ ADD WORKING FREQUENCY RANGE                                 |
| 12 15/02/11 - NYW | $\triangle$ ADD RG58 CABLE OPTION                                       |
| 13 29/07/11 - NYW | $\triangle$ ADD 1.37 CABLE OPTION                                       |
| 14 01/07/11 - NYW | $\triangle$ ADD 1.37 CABLE OPTION REMOVE 1.32 D/S (2) CABLE OPTION      |
| 15 29/06/15 - NYW | $\triangle$ AMEND 1.37 SMA PLUG P/N                                     |
| 16 27/08/15 - NYW | $\triangle$ AMEND RG58 SMA PLUG P/N                                     |
| 17 11/07/23 - NYW | ADD RG58LL CABLE OPTION AND RG58LL CABLE P/N'S FOR RG58 ADD NOTES 2 & 3 |

|        |            |
|--------|------------|
| Scale: | NTS        |
| Drawn: | NYW        |
| App'd: | XXX        |
| Date:  | 11 JUL '23 |

|             |                |
|-------------|----------------|
| THIRD ANGLE |                |
| Title       | CABLE ASSEMBLY |
| Revision:   | 1.7            |

|          |             |
|----------|-------------|
| Unstated | Tolerances: |
| .X       | N/A         |
| .XX      | N/A         |
| .XXX     | N/A         |
| ANGLES   | N/A         |

|          |          |
|----------|----------|
| Material | SEE NOTE |
| Unit:    | mm       |

www.gradconn.com

THIS DRAWING IS CONFIDENTIAL AND MUST NOT BE COPIED OR DISCLOSED WITHOUT WRITTEN CONSENT

|                 |                   |
|-----------------|-------------------|
| Type:           | Cable 071 RF      |
| CABLE 071 RF    |                   |
| Drawing Number: |                   |
| Sheet 1         | of 1              |
| Drawing         | $\odot$ E and O E |